



# CARS CONNECTION

## CHARLOTTE AMATEUR RADIO SOCIETY

ARRL AFFILIATED



VOL. XXXV ISSUE NO 67 PUNTA GORDA/PORT CHARLOTTE, FL

SEPTEMBER 2011

**MEETING SCHEDULE: GENERAL MEETING THURSDAY, SEPTEMBER 8, 7:00 PM,**  
CARS GNERAL MEETINGS ARE HELD AT THE "H2U" UNIT LOCATED IN FAWCETT MEMORIAL HOSPITAL EXTENSION AT THE PROMENADES MALL.

**DIRECTIONS TO THE MEETING SITE AND A PHOTO OF THE LOCATION OF THE H2U UNIT ARE SHOWN ON RIGHT BOTTOM OF PAGE FOUR.**

### President

Roger Weatherly, W3IGM ,575-7169

### Vice-President

Robert Gutmann, KA8IGY, 505-9840

### Treasurer

Ken Johnson, KG4KQW, 505-2167

### Secretary

Al Romanosky, KB3U, 239 731-5130

### Directors

Dennis Lazar, W4DNN , 624-6373

Al Zaboronak, WB4TEX, 629-9108

Wyatt McDaniel, W8HTD, 575-2197

### Past President

Lou Nagy, N1MAH, 743-9619

### Charlotte County RACES Officer

Roger Weatherly, W3IGM ,575-7169

### CARS General Meeting Minutes

August 11, 2011

**Call to Order:** Meeting called to at 7:00 pm by Roger Weathrly, W3IGM,n President.. Fourteen in attendance quorum present.

**Secretary:** Motion made and accepted approve minutes as published in the CARS Connection. Reminder members re: Fall Picnic scheduled for Saturday, October 15. Will be jointly held with PRRA members.

**Treasurer:** Assets as of 8/01/2011, Charlotte State Bank CD \$2063.23 ,FCB Checking \$1222.65, Petty Cash \$45.00. Total Assets .3330.88 Assets as of 8/31/10 Charlotte State Bank \$2063.23, FCB Checking \$1293.55, Petty Cash \$45.00. total Assets \$3401.78. Motion made, report accepted.

**Discussion/Actions:** CARS Holiday Dinner—after some discussion a vote was taken to resolve issue of having the dinner at St. Andrews or the Golden Corral. Vote9 Seven for the Corral and four for St. Andrews) favored the Golden Corral. Secretary will con tact the Corral regarding availability for Saturday December 10.

Corrections are to be made and an updated roster provided to CARS members.

A SET (Simulated Emergency Test) is being contemplated for November. Date will be forthcoming. Contact Ken Johnson, KG4KQW, or Joseph Kliment, W3HZM 347-7776, for information..

Consideration is being given to dedicating the November meeting to a trade, barter or sale festival. One held Last year was very successful.

**Schedule:** Executive Board meeting first Wednesday Noon at Fawcett Hospital cafeteria . General meeting, Thursday, September 8 at the H2U Unit at 7:00 pm.

A. J. Romanosky KB3U  
Secretary.

***“Do not be hasty in your spirit to be angry,  
For anger rests in the bosom of senseless men.  
Do not say “Why were the former times better than these?”  
For you do not inquire wisely concerning this.”***

*Ecclesiastes C7 v 9—11*



4th ANNUAL

**PEACE RIVER RADIO ASSOCIATION  
IS SPONSORING THE  
N4XJQ LAMBIEFEST**

*ALL PROCEEDS BENEFIT PRRA*

**Saturday, September 24, 2011**

**6 AM – 4 PM**

**Radio Raffle**

Good Deals – New Friends —And a Good Ole Time for Everyone  
Coffee, Doughnuts, Hamburgers, Hotdogs & Soda Available

**Location:** Tropical Gulf Acres Clubhouse  
**Admission:** \$3.00  
**Tailgate:** \$3.00 per vehicle (bring your own table(s))  
**Inside Tables:** \$5.00 (25 Tables available)  
*Some* Electric, over night parking is OK (no hookups)

**Talk-in 147.255**

Exit #158 Tuckers Grade  
Turn Left on US 41 go-  
5 Blocks South to St. Ives Drive and  
Turn Right at The Camperland the  
TGA Clubhouse is Straight Ahead.

Club address: PRRA  
P.O. Box 510943  
Punta Gorda, Florida 33951-0943



For more information contact Tom Lambie @ (Cell) 941-661-2547 [n4xjq@comcast.net](mailto:n4xjq@comcast.net)

*“You know you have been on the computer too long when you get in the elevator  
and double-click the button for the floor you want.”*

**Amateur Radio Quiz: "Well-Connected" Amateur**

By H. Ward Silver n0ax@arrl.net

Every station is home to hordes of connectors -- at the wall socket, the computer, the test equipment and...oh, yes...the radio! If you are just getting started, be prepared to learn a lot more about connectors and connections than you ever expected. Here are few questions that will spark your interest!

1) Which type of USB connector is most likely to be on the end of the cable that connects to your computer?

- a. Type A
- b. Type B
- c. Hub
- d. I didn't know cables had sidebands!

2) Which part of a cable connector protects the connections between the cable wires and connector pins?

- a. Strain Relief
- b. Flange
- c. Backshell
- d. Crimp

3) Which coaxial connector style is used at microwave frequencies?

- a. DIN
- b. SMA
- c. UHF
- d. BNC

4) Which type of connector is used for Ethernet networking connections?

- a. RJ45
- b. DB-25
- c. AX.25
- d. RJ11

5) Which type of connector is also known as a "phono" connector?

- a. Tip jack
- b. RCA
- c. Banana plug
- d. Fahnstock clip

6) What are the three circuit connections of a stereo phone plug?

- a. Center, shield, jacket
- b. Phase 1, phase 2, neutral
- c. Hot, neutral, ground
- d. Tip, ring, sleeve

Quiz continued

7) Which way should a wire wrap around a screw terminal?

- a. Don't wrap the wire at all
- b. Clockwise
- c. Counter-clockwise
- d. Either direction works equally well

8) Which type of crimp terminal is often called a "quick disconnect"?

- a. Spade
- b. Ring
- c. Fork
- d. Hook

9) When installing a PL-259 coaxial connector, what part must go on the cable first?

- a. Body
- b. Backshell
- c. Center pin
- d. Jacket

10) Which connector changes a transmission line from coaxial cable to waveguide?

- a. Transition
- b. Transformation
- c. Transducer
- d. Transplant

Bonus Question: Bare wire ends are named for what animal part?

Hamfests

09/17/2011 | Bahia Shrine Amateur Radio Unit Tailgate

Location: Orlando, FL

Sponsor: Bahia Shrine Amateur Radio Unit

Website: <http://www.bahia Shrine.org/~radio/Tailgate.htm>

09/24/2011 | Pasco County Hamfest

Location: Odessa, FL

Sponsor: Suncoast Amateur Radio Club

Website: <http://groups.yahoo.com/group/sarcmail>

09/24/2011 | Lambiefest

Location: Punta Gorda, FL

Sponsor: Peace River Radio Association

Website: <http://www.w4dux.net>

# Happy Birthday



**September**

Sep 9 MILLER, BILL KK2L  
 Sep 17 JOHNSON, KEN KG4KQW

**October**

Oct 28 HOPE, WILMA KF4EEG

**Quiz Answers:**

- 1) a -- The flat connector is a Type A, while the square connector on most accessories is a Type B.
- 2) c -- A backshell holds the cable steady within the connector to prevent flexing and stress on the wire-to-pin/socket connection.
- 3) b -- The SMA miniature threaded connector can be used to nearly 20 GHz.
- 4) a -- Modular connectors are used for telephone wiring, as well.
- 5) b -- This designation derives from the Radio Corporation of America's use of the connector for phonograph connections in the 1940s.
- 6) d -- Also referred to as "TRS" connectors, these were originally used in telephone switchboards.
- 7) b -- Clockwise, so that the tightening of the screw will pull the wire around its threads instead of pushing it out from under the head. A single half-turn is sufficient; more turns prevent the screw from fully seating.
- 8) a -- Spade terminals are held together by friction.
- 9) b -- The backshell will not fit over the body of the connector. Every ham forgets this step at least once!
- 10) a -- These are some very interesting structures, converting electromagnetic waves from one media to another very efficiently.

Bonus Answer: Pigtails!

**CARS 2011 MEMBERSHIP APPLICATION**

Note: Other than the name—only enter info that has changed since last renewal.

Check One: Renewal \_\_\_\_\_ Initial \_\_\_\_\_

Last Name: \_\_\_\_\_

First Name: \_\_\_\_\_ Initial: \_\_\_\_\_

Call: \_\_\_\_\_ License Class: \_\_\_\_\_

Phone: \_\_\_\_\_ Birthdate: \_\_\_\_\_

ARRL Member: Yes \_\_\_\_\_ No \_\_\_\_\_

E-Mail \_\_\_\_\_

Home Address (No Change-\_\_):

Street : \_\_\_\_\_

City : \_\_\_\_\_

St \_\_\_\_\_ Zip: \_\_\_\_\_

Dues \$14 \_\_\_\_\_ Family:-\$16 \_\_\_\_\_

Return application at a CARS meeting or mail to:

CARS  
 P.O. BOX 510415  
 Punta Gordo, FL 33951-0415

The "H2U" unit of Fawcett Memorial Hospital is shown circled in red on the left. The unit is located in the Promenades Mall across from the Royal Palm Retirement Center.

Ample and convenient parking is available. As usual refreshments will be available.



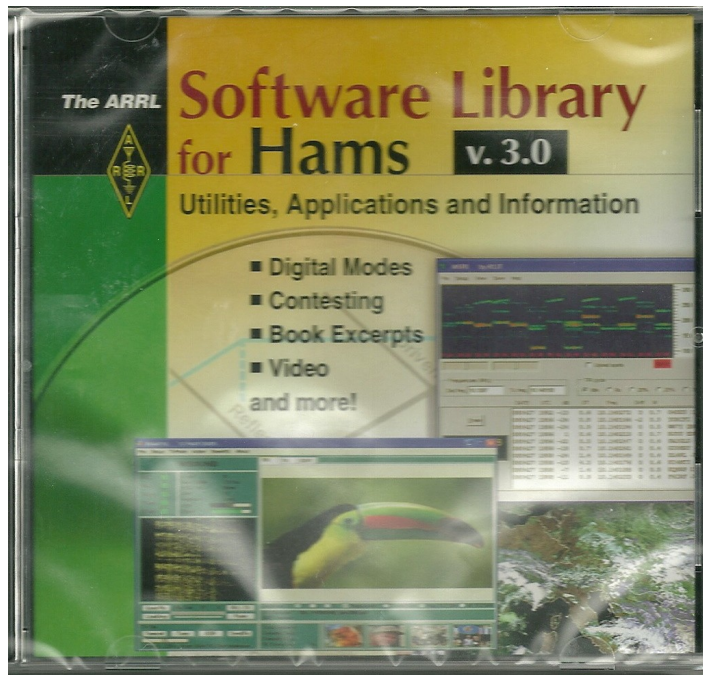
**News And Views**

**Club Activity:** Mark Saturday October 15 as reserved on your calendar. The CARS and PRRA joint Fall semi-annual picnic is scheduled for that day.

As usual, the picnic will be held at the Charlotte Environmental Center, Burnt Sore Road, Punta Gorda. Festivities will start at 10:00 AM and “chow down” at noon.

**Nomination Committee:** It is now time to consider preparing for the election of CARS Officers and a Director. The first step is to organize a Nominating Committee to prepare a slate of candidates.

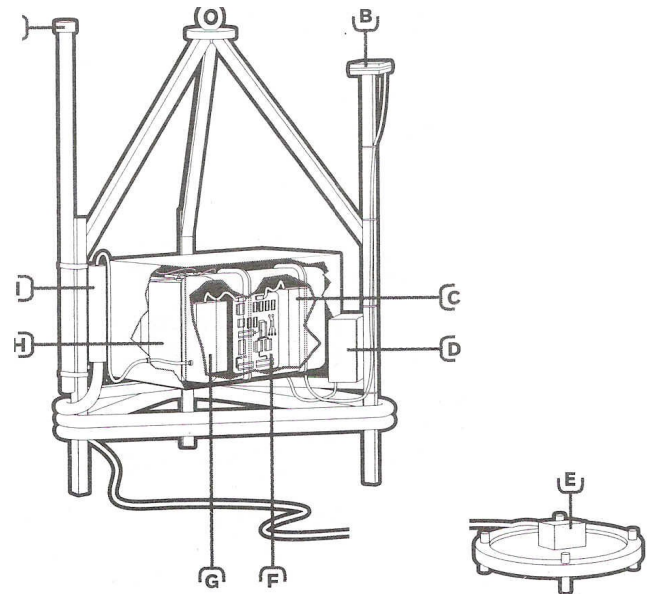
If you are interested in serving on the Committee or in serving in either as an Officer or Director please notify any of the current Officers or Directors listed on page one of the Newsletter.



As an incentive , the above “Software n Library for HAMS V.1.0” will be awarded to an attendee at the CARS general meeting Thursday, September 8, who identifies the diagram depicted on the right.

Software unopened in original packaging  
 If there is no “winner” - the software will be given as another door prize.

**What is it?**



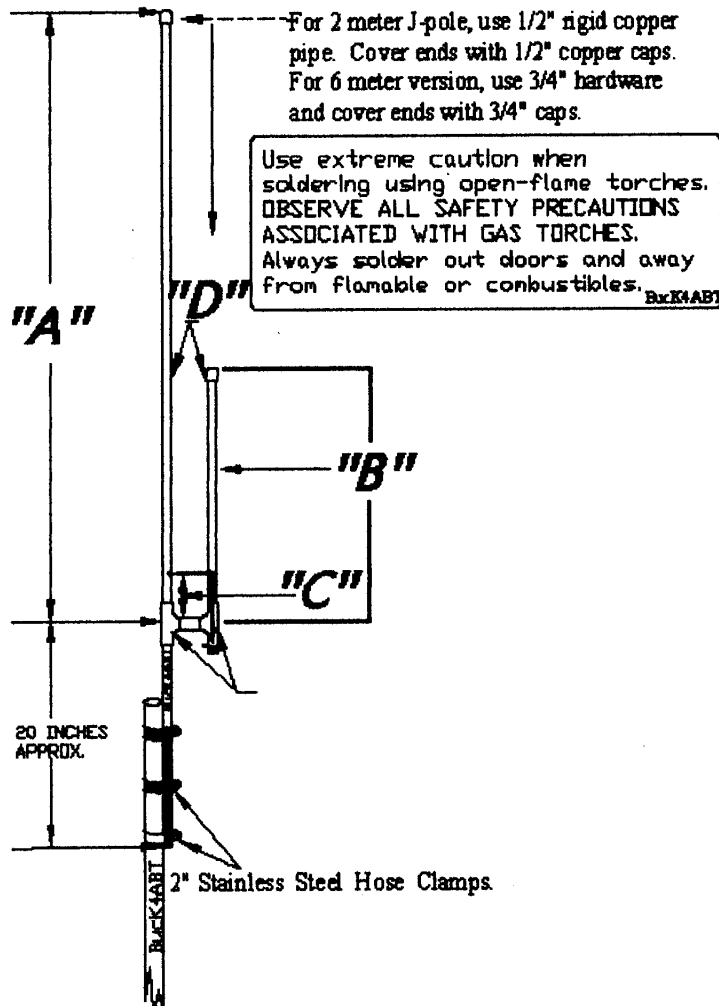
- A) Radio antenna
  - B) GPS antenna
  - C) Computer
  - D) Gas sensor
  - E) Seismometer
  - F) GPS receiver
  - G) Telemetry'radio
  - H) Air-alkaline
  - I) Microphone
- Not exactly amateur radio, but interesting from a scientific point of view—it is named after an insect/animal with several legs—and is in use today.

**Can You Name It?**



Both items above were originally published in the November 2005 issue of the CARS Connection.

I believe at the time that two members identified the radio—only one identified the equipment associated with the diagram..



**Standard J Pole -ww.packetradio.com**

2 meters (145.000 to 146.000 MHz)  
EXACT dimensions

- A = 58 inches overall (long driven element).
- B = 19.5 Inches
- C = 2 Inches
- D = 1.8 Inches (space)

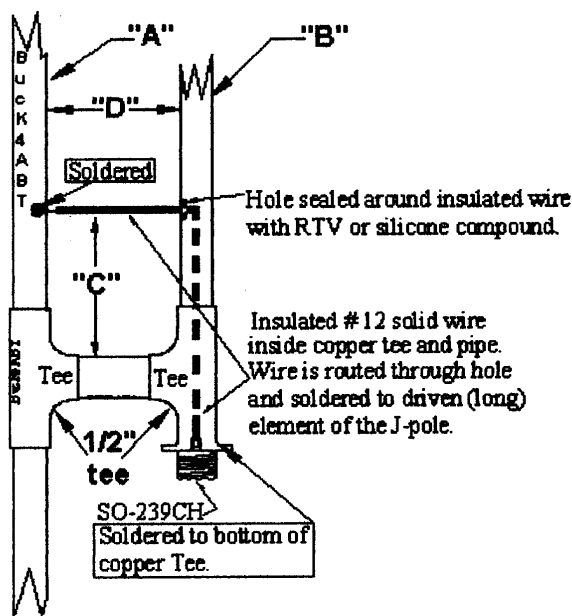
6 meters (50.500 to 51.500 MHz) EXACT dimensions:

- A = 166-3/4 inches overall (long driven element).
- B = 58-3/4 inches (short tuning stub).
- C = 5.5 Inches
- D = 5 inches

**Note:** Below is a photo of the J-pole—it has been up for about 20 years. It has survived Andrew and Charley.

Performance has been very good.. Adjacent to it is a Cushcraft R5 vertical.. Location originally "slightly" hidden—gated community.

AJR KB3U



**Exploded view of the RF feedpoint method.**



## Surfin': Got Heathkits?

By Stan Horzepa, WA1LOU  
ARRL Contributing Editor, [www.arrl.org](http://www.arrl.org)

This week, Surfin' celebrates Heathkit's reentry into the kit business.

This story was buried by all the coverage of the East Coast earthquake and hurricane last week, so in case you missed it, Heathkit is back in the business of producing kits. Here are a few pertinent quotes from the news article that appeared here last weekend.

"A notice on the Heathkit website announces that the venerable kit manufacturer -- well-known to all Amateur Radio operators of a certain age -- will be reentering the kit business in late August."

Heathkit "is actively looking for kit suggestions" and their website has great news in that regard.

"Based on your input, we are looking at developing Amateur Radio kits. Our goal is to have kits available by the end of year."

It is hard to believe that almost 20 years have passed since the Heathkit exited the kit business. I cut my teeth building Heathkits and it was a sad day when they pulled the plug.

I had absolutely zero soldering skills when I built my first Heathkit, the HR-10B ham receiver, yet I managed to build the receiver by following their excellent step-by-step instructions. It popped a fuse when I powered it up the first time, but nothing smoked. Cold solder joints were the culprit and some skilled soldering quickly brought the receiver to life.

I had better luck out of the box with my second kit, the DX-60B ham transmitter, which worked the first time I powered it. And with that success, there was no stopping me. Soon a collection of Heathkit ham radio equipment soon filled my ham shack shelves and a series of Heathkit AM-FM receivers were the centerpieces of my HiFi component system.

These were complicated kits, but the kit instructions were so good that even a dummy load like me could build them successfully. So I look forward to the new Heathkit radio kits. I would love to build something again that worked. Until next time, keep on surfin'!

## Heathkit Stuff Continued

Heathkit web site is at [www.heathkit.com](http://www.heathkit.com).

From a cursory look at the site it appears to me that, at this point in time, none of their offerings address Amateur Radio directly.

Following is an excerpt from the site:

"HEATHKIT IS BACK In The Kit Business!

In late August, Heathkit will debut their new line of Do-it-Yourself kits for common around-the-house items. The first kit will be a Garage Parking Assistant (GPA). The Garage Parking assistant kit lets you build your own system that uses ultrasonic sound waves to locate your car as it enters the garage. The system signals to the driver using LED lights mounted on the wall when the car is detected and in the perfect spot for parking.

The GPA-100 kit consists of two primary assemblies - The LED Display in kit form and the pre-assembled ultrasonic range module. The kit will include everything you need to complete the project except a soldering iron and hand tools.

Next on the market will be a Wireless Swimming Pool Monitor kit followed by many more.

Heathkit wants to continue to bring to its customers interesting, unique Heathkit products. Heathkit is interested in learning what types of products kit builders would like to build. Kit builders can submit their suggestions through this website using the Contact Us email."

Note in Stan Horzepa, WA1LOU, article on the left, Heathkits goal is to have Amateur Radio kits available by year's end.

As most I enjoyed not only constructing Heathkits In the past but also took advantage of the many educational offerings in both Amateur Radio, electronic and computer fundamentals and concepts.

Will be interesting in seeing what the future holds for the rejuvenated Heathkits.

AJR KB3U

## Windows XP Techniques

### Change your Window fonts

1. Open Display in Control Panel.
2. On the Appearance tab, in Font size, click a new font size

### Arrange your desktop icons

1. Right-click the desktop
2. .Point to Arrange Icons By, and then click one of the commands on the submenu, as explained below.

Name - Arrange icons in alphabetical order by the icon name.

Size - Arrange icons in order of file size. If the icon is a shortcut to a program, the size refers to the size of the shortcut file.

Type - Arrange icons in order of type. For example, if you have shortcuts to several PowerPoint presentations on your desktop, these will be arranged next to each other.

Modified - Arrange icons in the order that the shortcut was last modified.

AutoArrange - Arrange the icons in columns along the left side of your screen.

Align to Grid - Snap icons into place as designated by an invisible grid on your screen. The grid keeps the aligned with each other.

Show Desktop Icons - Hide or show all desktop icons.

### Desktop theme overview

A desktop theme is a predefined set of icons, fonts, colors, sounds, and other window elements that give your desktop a unified and distinctive look. You can switch themes, create your own theme by changing a theme and then saving it with a new name, or restore the traditional Windows Classic look as your theme.

If you modify any element of a theme, such as your desktop background or screen saver, it is recommended that you save your changes with a new theme name. If you modify your desktop and don't save your changes with a new name, your changes will be lost if you select a different theme.

## Free up disk space

The Disk Cleanup tool helps you free up space on your hard disk. The utility identifies files that you can safely delete such as temporary Internet files, downloaded program files (such as Microsoft ActiveX controls and Java applets), empties the Recycle Bin, Windows temporary files and programs no longer used.

To use Disk Cleanup: Click Start > All Programs > Accessories > System Tools > disk cleanup ("C" drive selected) select files and click OK

## Program—September 8 Meeting

***The program for the general meeting on Thursday, September 8, will feature two videos.***

***Video #1 - Titled "AO51 Satellite Again" Working satellite with a handheld antenna and radio.***



***Video #2—Titled "Amateur Radio Police Interceptor"***



***This is an interesting video—looks like a lot of amateur equipment installed and no room for anyone other than the driver.***